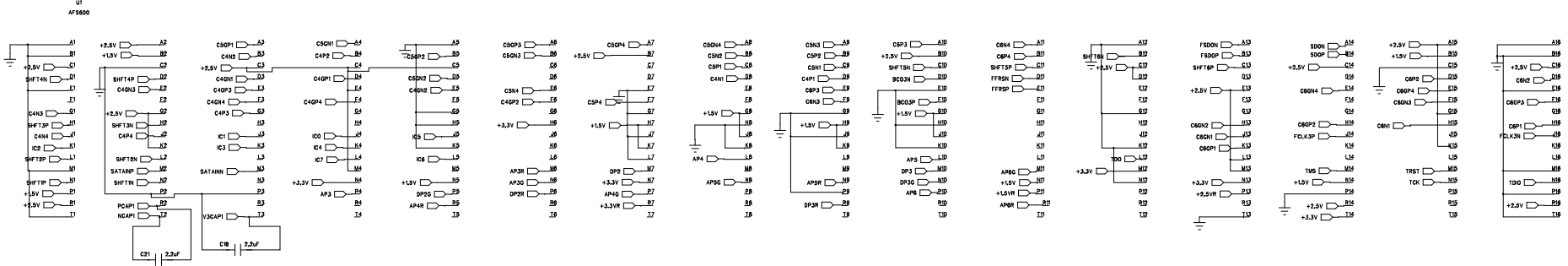
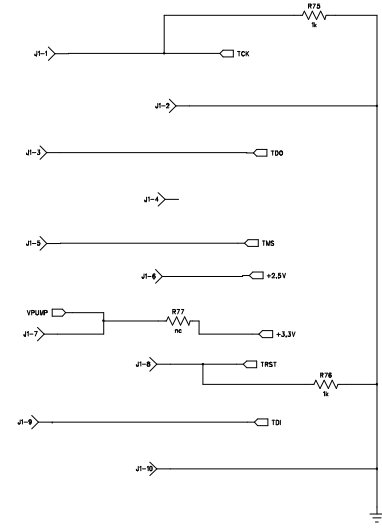
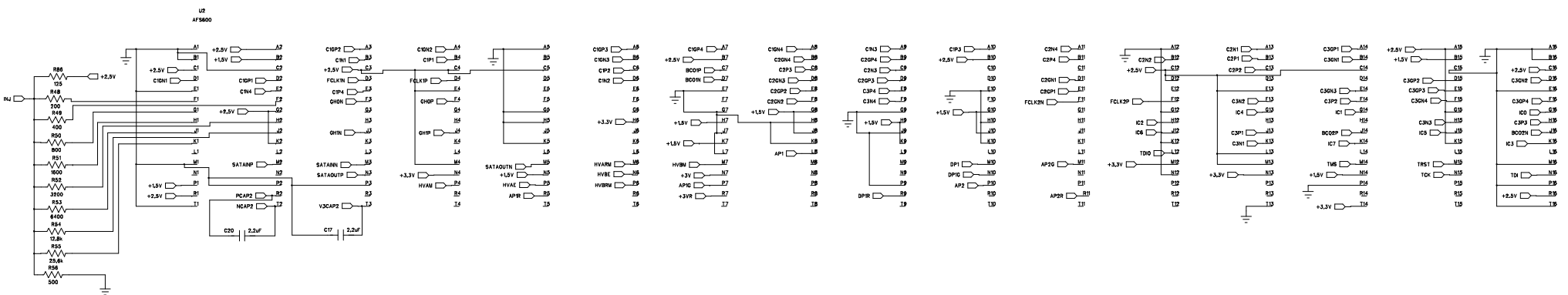
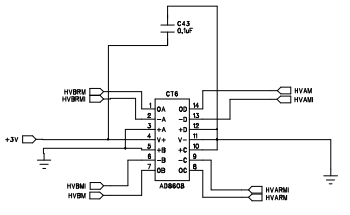
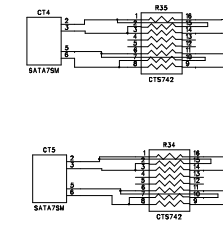
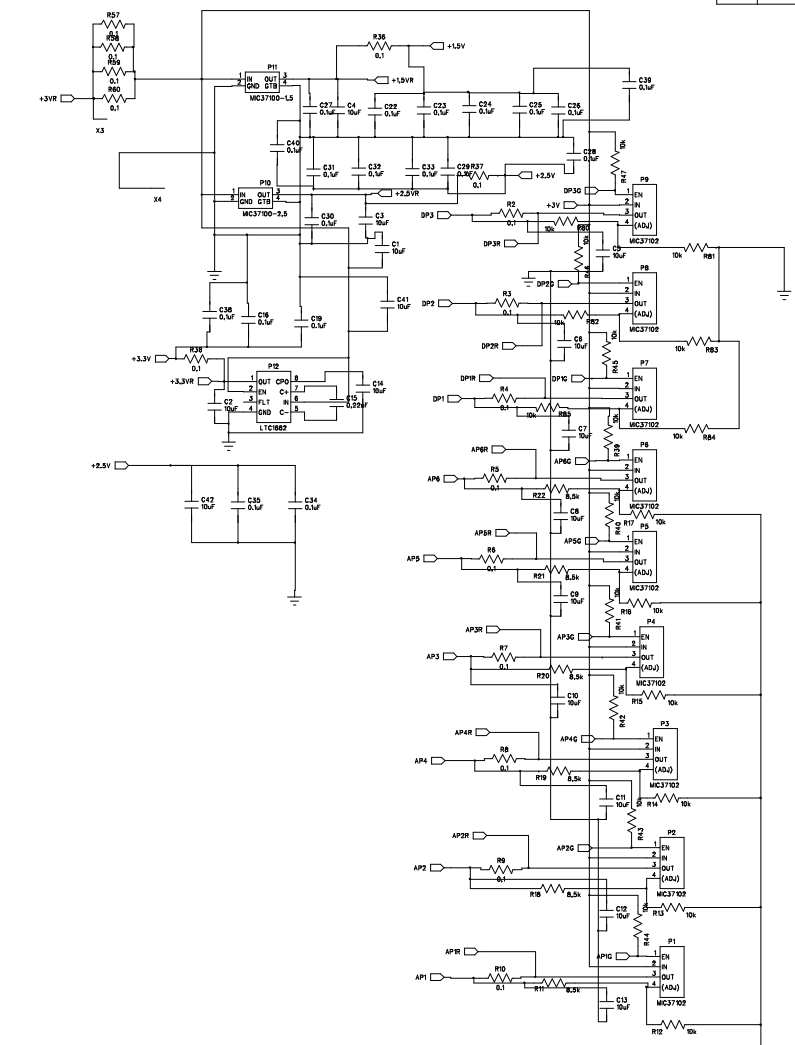
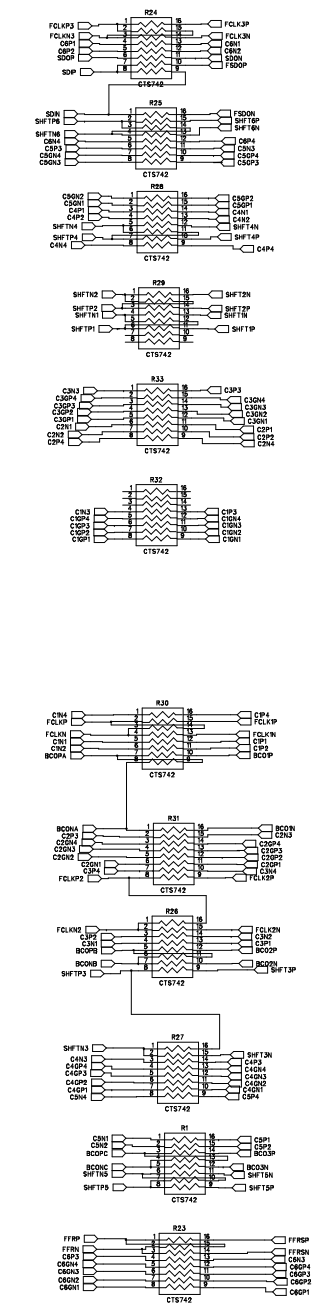
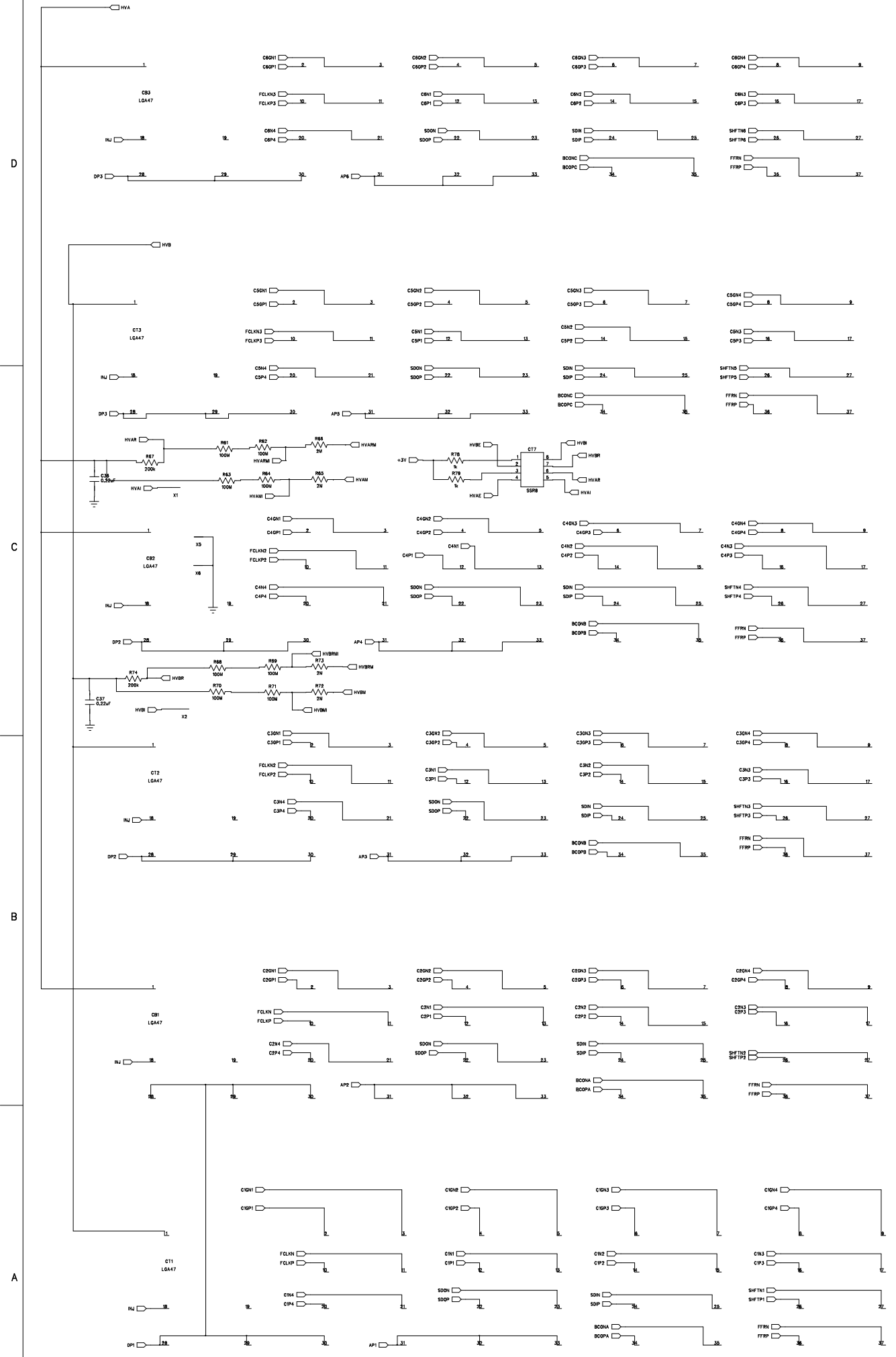


REVISION RECORD			
LTN	ECO NO.	APPROVED	DATE



COMPANY:				
TITLE:				
DRAWN:	DATE:	CODE:	SIZE:	DRAWING NO.:
CHECKED:	DATE:	SCALE:	SHEET: OF	
QUALITY CONTROL:	DATE:	REV:		
RELEASED:	DATE:			

REVISION RECORD			
LT#	ECO NO.	APPROVED	DATE



DRAWN:		DATED:		CODE:		SIZE:		DRAWING NO.:		REV.:	
CHECKED:		DATED:		SCALE:		SHEET:		OF:		COMPANY:	
QUALITY CONTROL:		DATED:		TITLE:							
RELEASED:		DATED:									