

REVISION RECORD			
LTR	ECO NO:	APPROVED:	DATE:

D

C

B

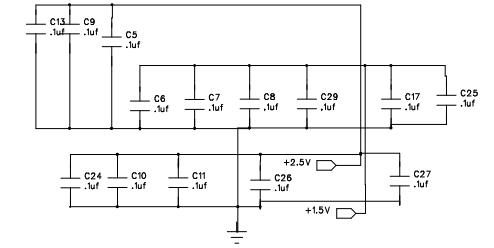
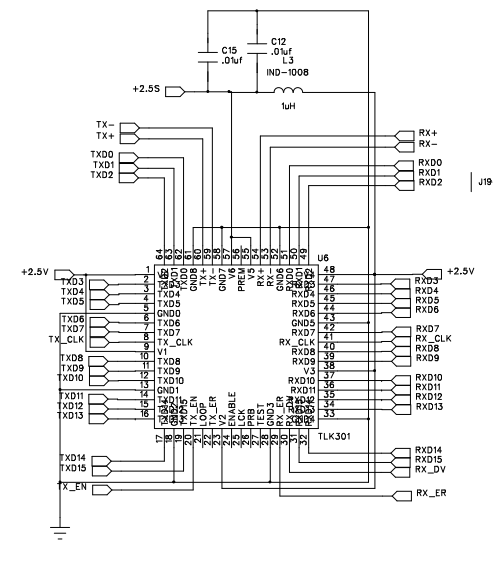
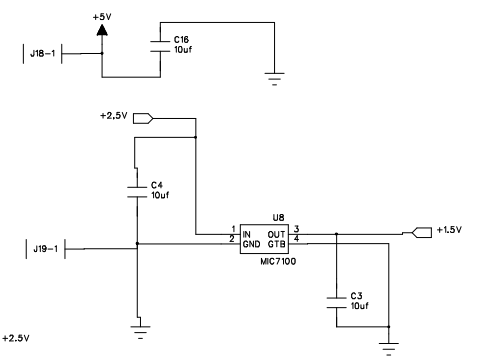
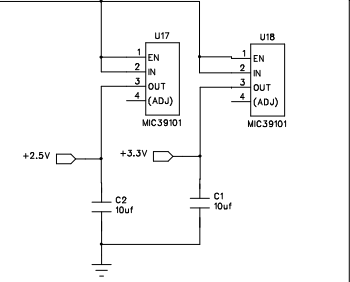
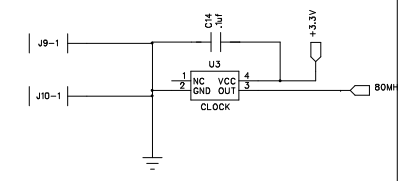
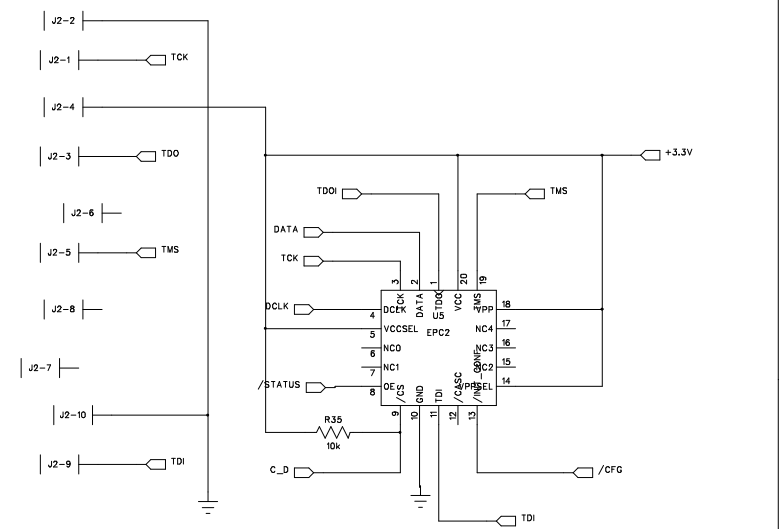
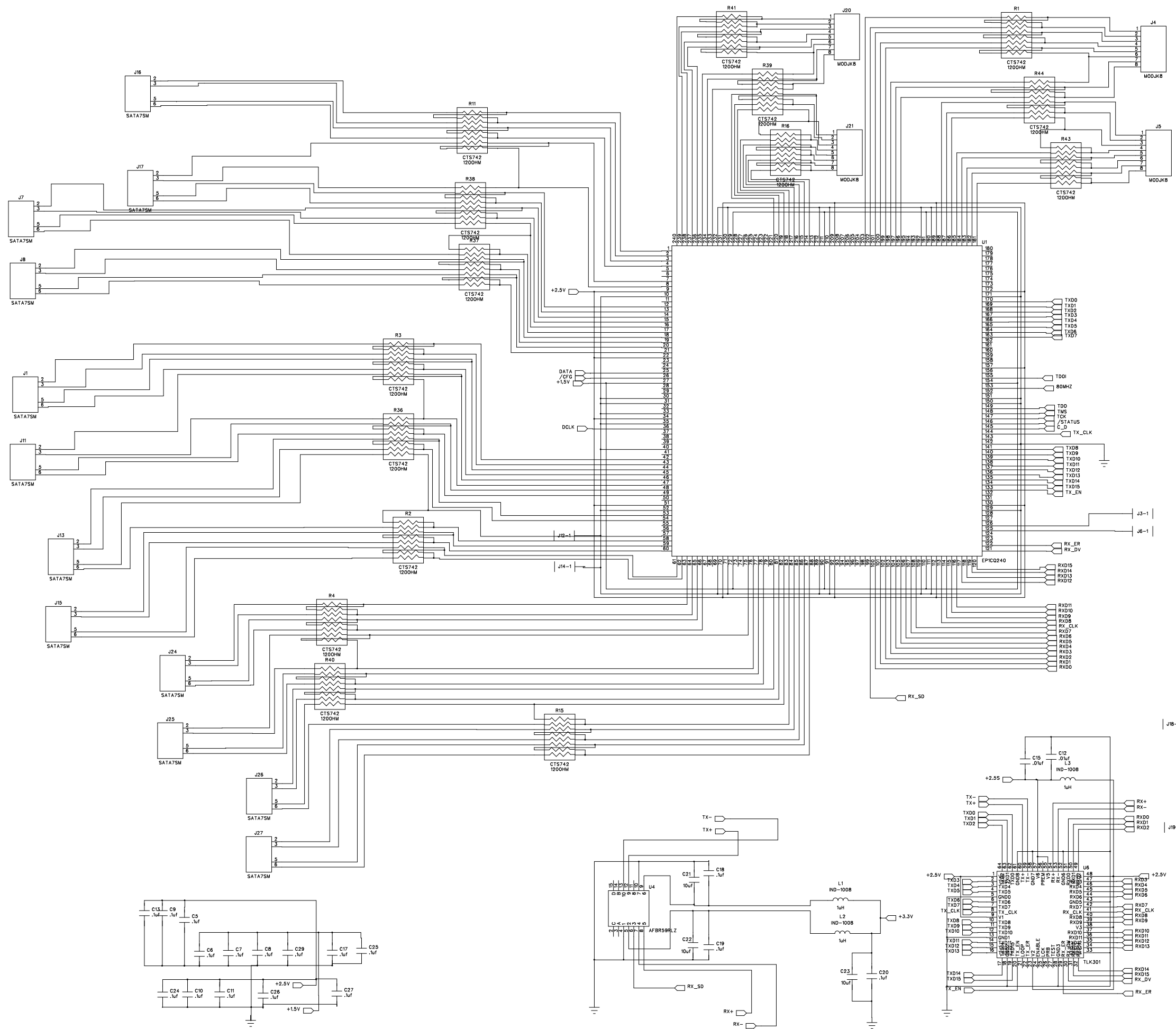
A

D

C

B

A



DRAWN:		DATED:		COMPANY:	
CHECKED:		DATED:		TITLE:	
QUALITY CONTROL:		DATED:		CODE:	SIZE:
RELEASED:		DATED:		DRAWING NO:	REV:
SCALE:				SHEET: OF	